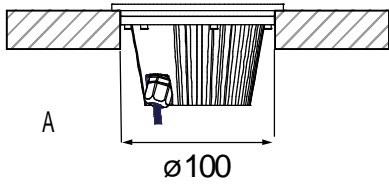


Hipy 110 round / square LED GE

123450XX_123454XX_123460XX_123464XX

1

- A) Without conbox Ø100 H105
- B) With conbox round Ø100 H165
- C) With conbox square Ø100 H150



A

Ø100

Ø114

B
165

art.12349830

C

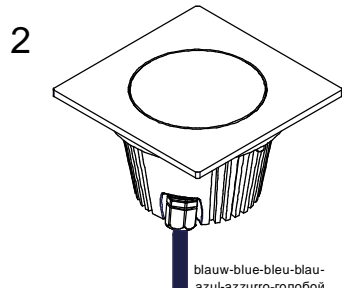
150

art.12349930

251

115

2



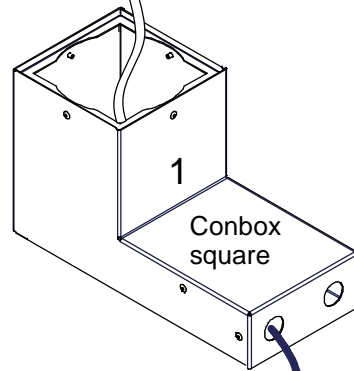
bruin-brown-brun-
braun-moreno-
bruno-коричневый

blauw-blue-bleu-bleu-
azul-azzurro-голубой

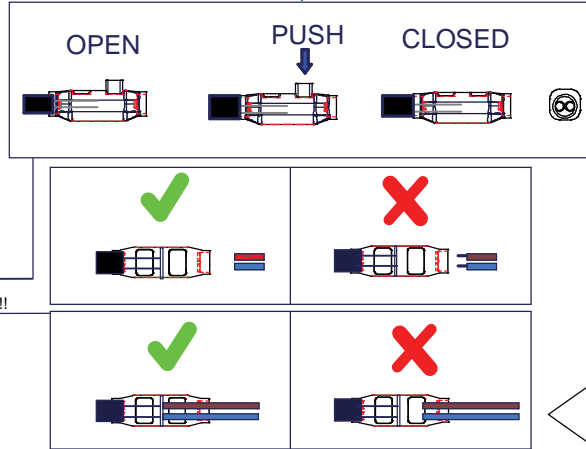
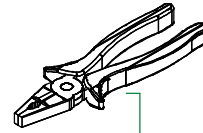
Wires not stripped !!

Led driver

350mA - min 16,5Vf - max 19,2Vf - 6,2W
500mA - min 17,1Vf - max 19,8Vf - 9,2W
700mA - min 17,7Vf - max 20,8Vf - 13,4W



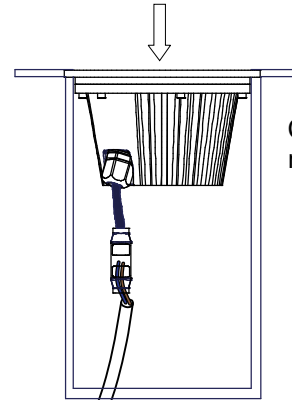
ADVISED TO PUT
THE DRIVER
ON DISTANCE !!!!



Wires max: 1.5mm²
Wire entry diameter: 3.0mm

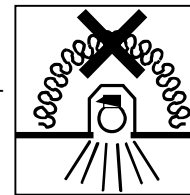
3

Max;Static load 5886 Newton (600kg)
Max. surface temperature 60°C (140°F)

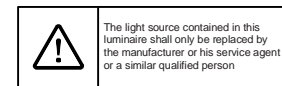
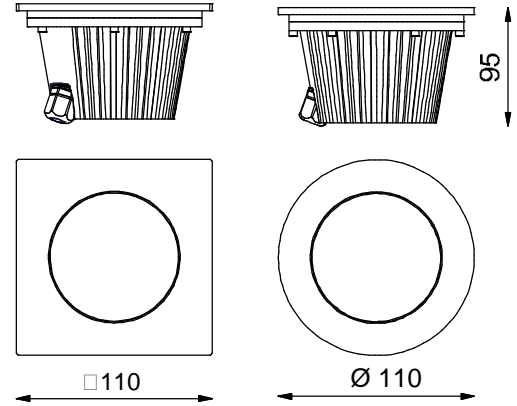


Conbox
round

ADVISED TO PUT
THE DRIVER
ON DISTANCE !!!!



4



The light source contained in this luminaire shall only be replaced by the manufacturer or his service agent or a similar qualified person



Replace protective shield when broken. The luminaire shall only be used complete with its protective shield. Reference number: 1008025

CAN BE USED WITH

12349930 Conbox outer dimension 115x115x150x251
12349830 Conbox outer dimension DIA 114x165

