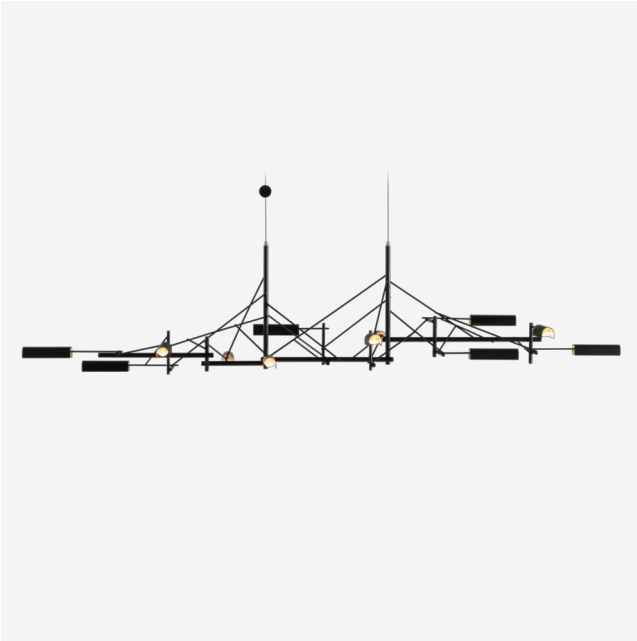


Tinkering

JOOST VAN BLEISWIJK | POWERED THROUGH ELECTROSANDWICH® BY MARCEL WANDERS



Tinkering, designed by Joost van Bleiswijk, captivates its spectators through a rhythmic composition that is made from black coated stainless steel and brass. This suspension lamp is available in two sizes, Tinkering 85 and Tinkering 140, which feature 7 and 12 LED light sources, respectively. The light caps are individually adjustable and make this lamp suitable to be installed above a table or a desk. Tinkering is powered through Electrosandwich® technology by Marcel Wanders.

Detailing



Powered through Electrosandwich® technology and made from coated stainless steel and brass, Tinkering creates a modern feel with a detailed touch.

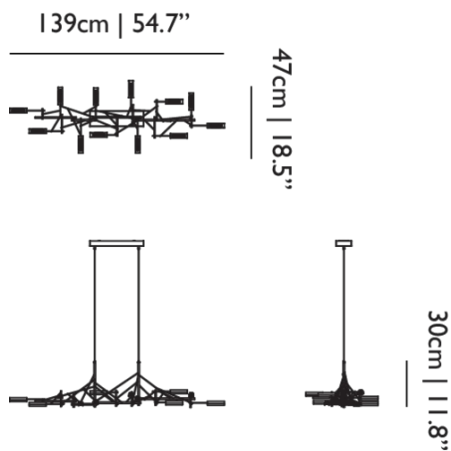
Colours



Black

Tinkering / 140

Dimensions



Product

WIDTH 139cm | 54.7"
HEIGHT 30cm | 11.8"
DEPTH 47cm | 18.5"
WEIGHT NETTO 2.7kg | 5.95lbs

Packaging

WIDTH 59cm | 23.2"
HEIGHT 42cm | 16.5"
CUBAGE 0.37m³ | 13.21ft³
LENGTH 151cm | 59.4"
WEIGHT 9kg | 19.84lbs

Technical CE

MATERIAL

Metal frame, brass shades and polycarbonate diffusers

ENERGY LABEL

Energy Label B

LIGHTSOURCE TYPE

LED

NUMBER OF LIGHTSOURCES

12

INPUT VOLTAGE

220-240

MAX POWER CONSUMPTION

21W

LAMPHOLDER

LED (Solid state)

CABLE COLOUR

Black

CANOPY

Matching metal rectangle

CRI

93

LIGHT OUTPUT

742 lm

INSTALLATION REQUIRED

Yes

LIGHTSOURCE INCLUDED

Yes

SHAPE

Linear

FREQUENCY

50/60

DIMMABLE

Yes

LIFETIME

50000 hours

CABLE LENGTH

250cm | 98.4"

COLOUR TEMPERATUE

2700 K

LIGHT DIRECTION

All directions

EEL

0.35

EFFICIENCY

35.33 lm/W

MEASURED POWER CONSUMPTION

20.5W

*Technical cULus***MATERIAL**

Metal frame, brass shades and polycarbonate diffusers

ENERGY LABEL

Energy Label B

INSTALLATION REQUIRED

Yes

LIGHTSOURCE TYPE

LED

LIGHTSOURCE INCLUDED

Yes

NUMBER OF LIGHTSOURCES

12

SHAPE

Linear

INPUT VOLTAGE

110-130

FREQUENCY

50/60

MAX POWER CONSUMPTION

21W

DIMMABLE

Yes

LAMPHOLDER

LED (Solid state)

LIFETIME

50000 hours

CABLE COLOUR

Black

CABLE LENGTH

250cm | 98.4"

CANOPY

Matching metal rectangle

COLOUR TEMPERATUE

2700 K

CRI

93

LIGHT DIRECTION

All directions

LIGHT OUTPUT

742 lm

EEI

0.35

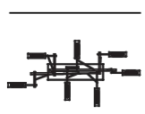
EFFICIENCY

35.33 lm/W

Tinkering / 85

Dimensions

83cm | 32.7"



41cm | 16.1"



29cm | 11.4"

Product

WIDTH 83cm | 32.7"

HEIGHT 29cm | 11.4"

DEPTH 41cm | 16.1"

WEIGHT NETTO 1.6kg | 3.53lbs

Packaging

WIDTH 51cm | 20.1"

HEIGHT 42cm | 16.5"

CUBAGE 0.2m³ | 7.11ft³

LENGTH 94cm | 37"

WEIGHT 6kg | 13.23lbs

Technical CE

MATERIAL

Metal frame, brass shades and polycarbonate diffusers

ENERGY LABEL

Energy Label B

LIGHTSOURCE TYPE

LED

NUMBER OF LIGHTSOURCES

7

INPUT VOLTAGE

220-240

MAX POWER CONSUMPTION

12W

LAMPHOLDER

LED (Solid state)

CABLE COLOUR

Black

CANOPY

Matching metal rectangle

CRI

93

LIGHT OUTPUT

420 lm

INSTALLATION REQUIRED

Yes

LIGHTSOURCE INCLUDED

Yes

SHAPE

Linear

FREQUENCY

50/60

DIMMABLE

Yes

LIFETIME

50000 hours

CABLE LENGTH

250cm | 98.4"

COLOUR TEMPERATUE

2700 K

LIGHT DIRECTION

All directions

EEI

0.31

EFFICIENCY

35 lm/W

*Technical cULus***MATERIAL**

Metal frame, brass shades and polycarbonate diffusers

ENERGY LABEL

Energy Label B

INSTALLATION REQUIRED

Yes

LIGHTSOURCE TYPE

LED

LIGHTSOURCE INCLUDED

Yes

NUMBER OF LIGHTSOURCES

7

SHAPE

Linear

INPUT VOLTAGE

110-130

FREQUENCY

50/60

MAX POWER CONSUMPTION

12W

DIMMABLE

Yes

LAMPHOLDER

LED (Solid state)

LIFETIME

50000 hours

CABLE COLOUR

Black

CABLE LENGTH

250cm | 98.4"

CANOPY

Matching metal rectangle

COLOUR TEMPERATUE

2700 K

CRI

93

LIGHT DIRECTION

All directions

LIGHT OUTPUT

420 lm

EEI

0.31

EFFICIENCY

35 lm/W

MEASURED POWER CONSUMPTION

12.5W

Dimmer

For fluent dimming behaviour we advise a dimmer that is compatible with the following specs.

Please note the functioning of the dimmer and the power supply combination can never be predicted, it always needs to be tested in practice.

DIMMER TYPE

Mains dimmable (trailing edge / reverse phase)

LOAD TYPE

Capacitive load (C-Type)