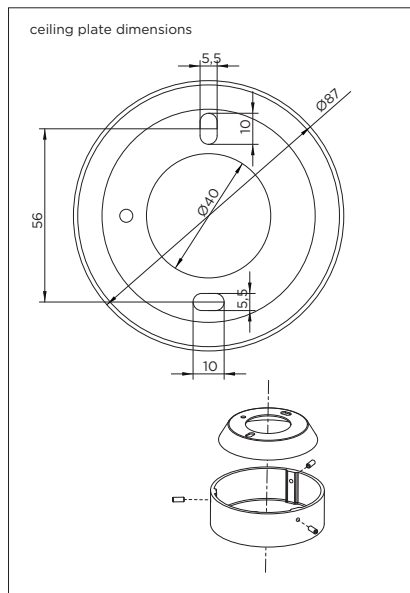
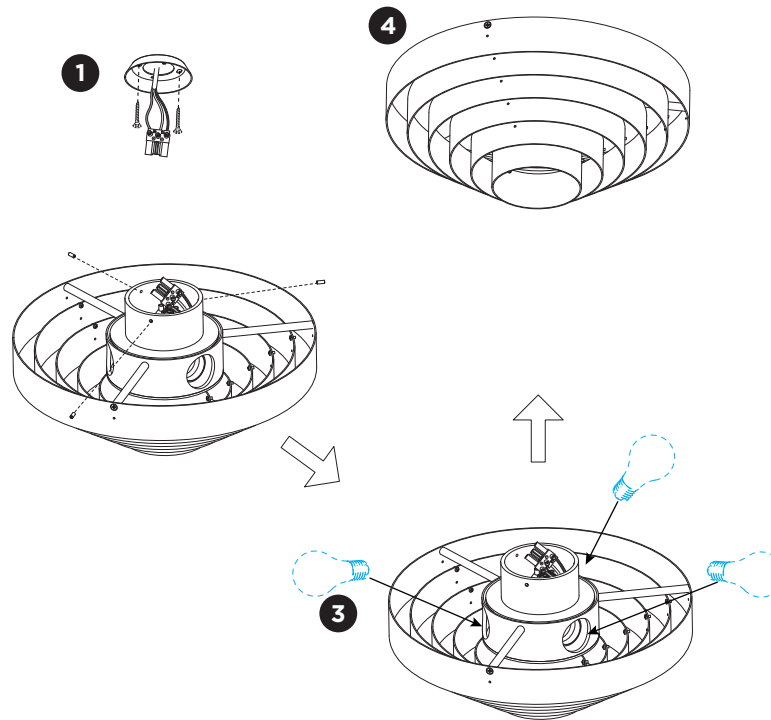


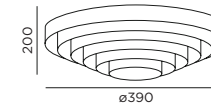
J.J.W. 03

INSTALLATION INSTRUCTIONS | DECEMBER 2020



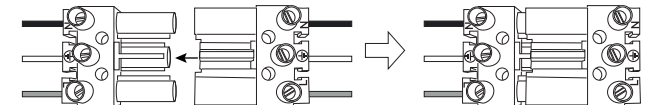
Installation and replacement of lamps

DIMENSIONS



MOUNTING INSTRUCTION

- 1 Remove the ceiling plate and mount it on the ceiling with screws (screws are not included).
- 2 **POWER CONNECTION**
connect to 220-240V



- 3 Insert the lamps (lamps are not included).
- 4 Mount the fixture to the ceiling plate with the side screws.

5 EXTRA INFO

Lamp replacement: all lamps can be replaced by hand, make sure the lamp is cold. For aesthetic reasons: please make sure that the lamellas hang parallel after installation.