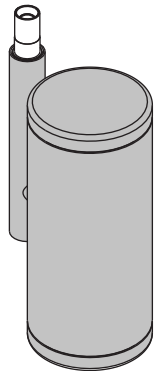


Médard 42 jack LED GE

134340XX_1343441XX_1343442XX_1343443XX

1 COMPONENTS

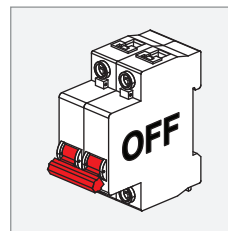
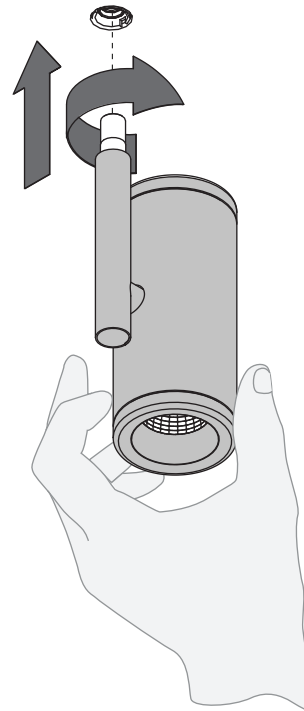


Drive Current (mA)	Forward Voltage		Power (W)
	min (Vf)	max (Vf)	
350	14,8	18,0	5,7
500	15,2	18,6	8,5
700	15,9	19,5	12,4

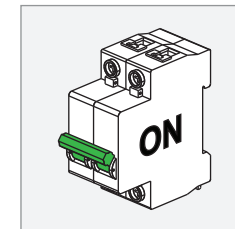
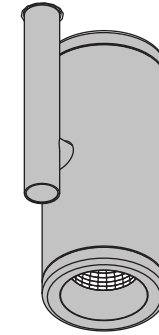
For serial connection, respect polarity!

⊕ RED	⊖ BLACK
-------	---------

2 PLUG IN "MODUPOINT LED"



3 POWER INSTALLATION



LIGHT SOURCE - DO NOT TOUCH LED

Touching the LED can result in permanent damage of the light source. The light source contained in this luminaire shall only be replaced by the manufacturer or his service agent or a similar qualified person.

DRIVERS & ACCESSORIES

For latest version of driver matrix and available accessories check www.supermodular.com or connect with your sales contact.