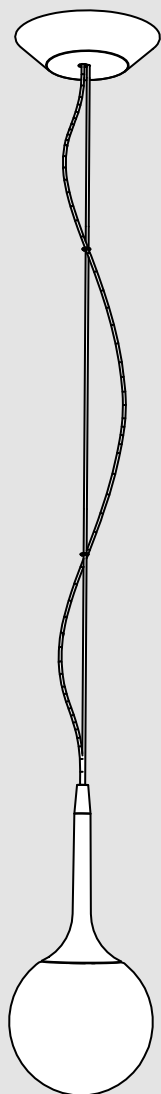


Artemide®

Castore

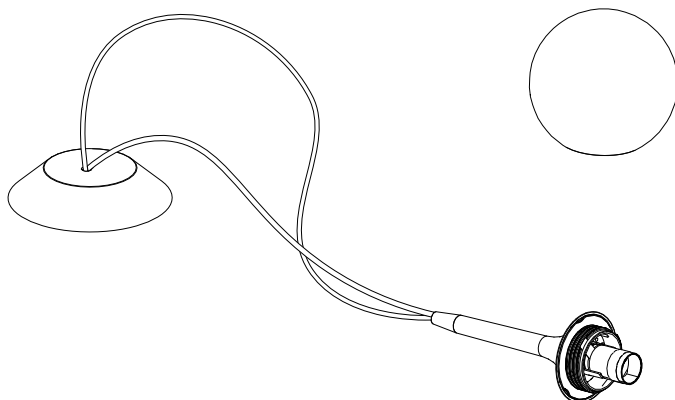
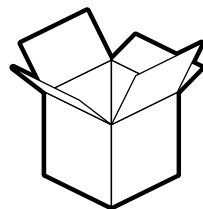
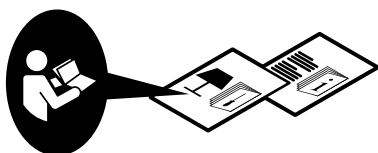
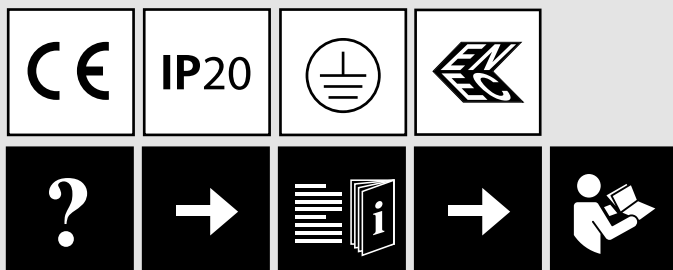
design

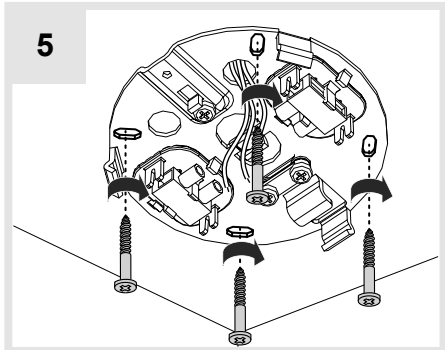
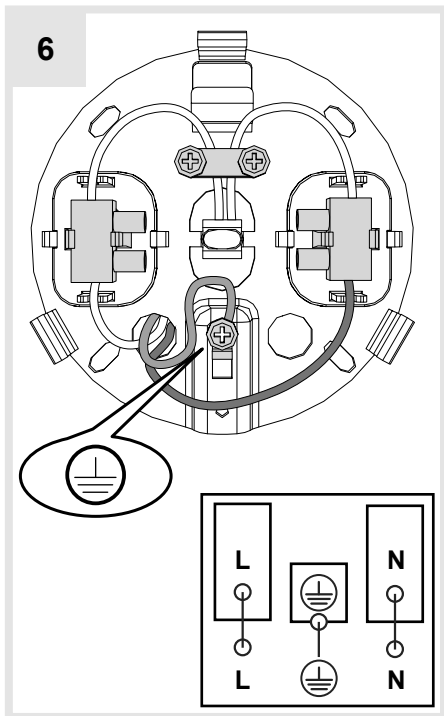
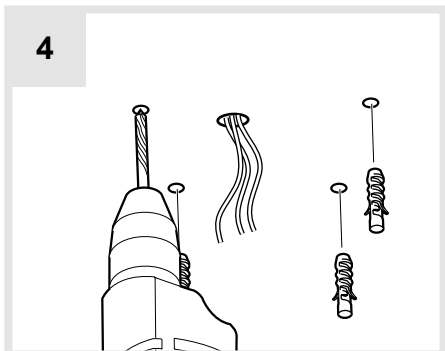
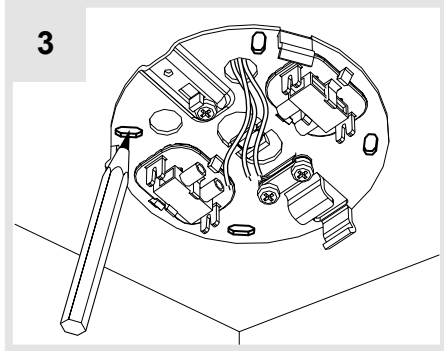
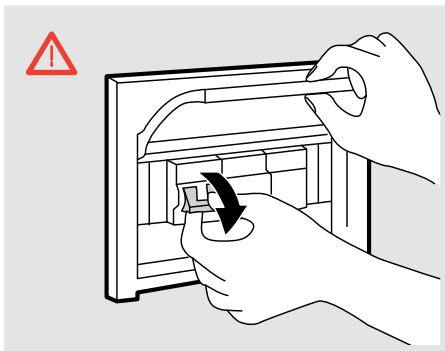
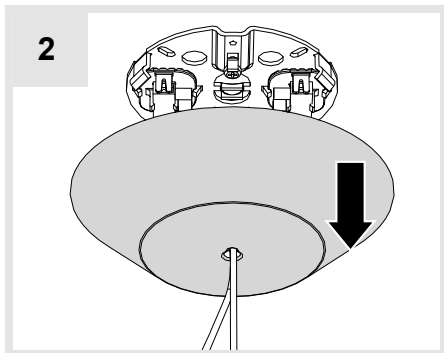
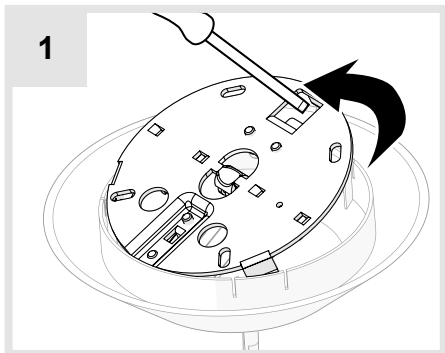
M. De Lucchi / H. Ubbens





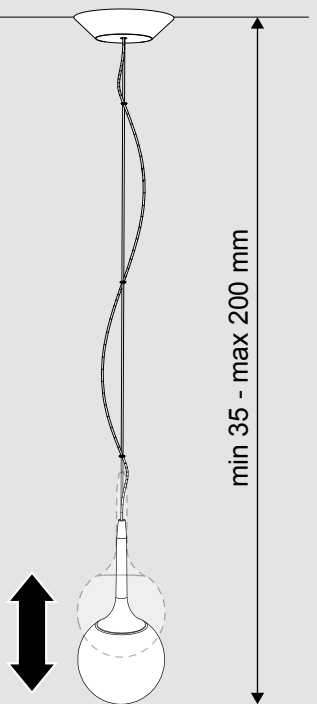
i



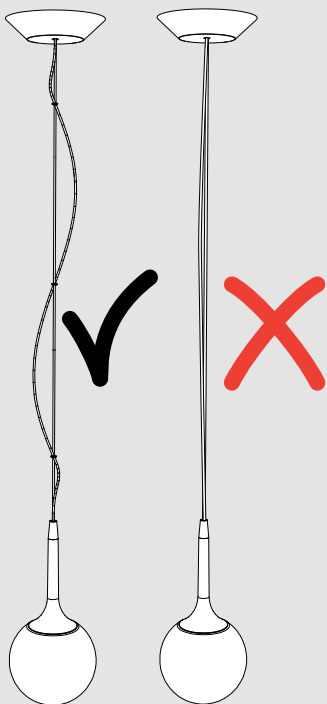
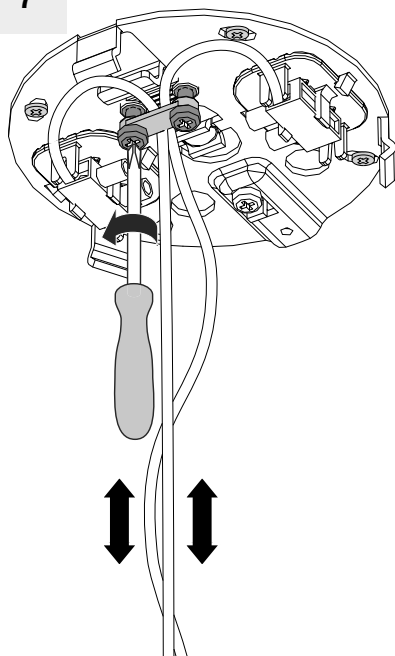




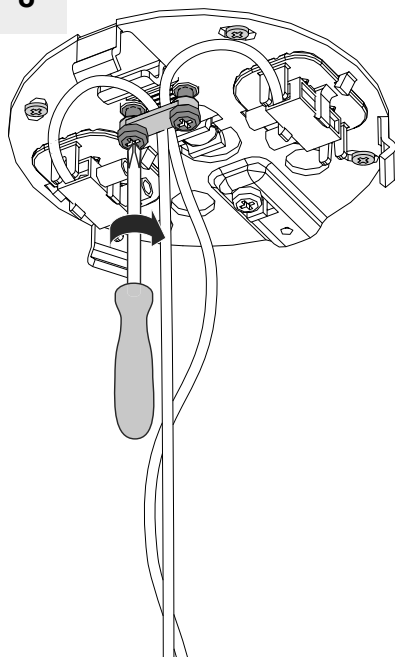
i



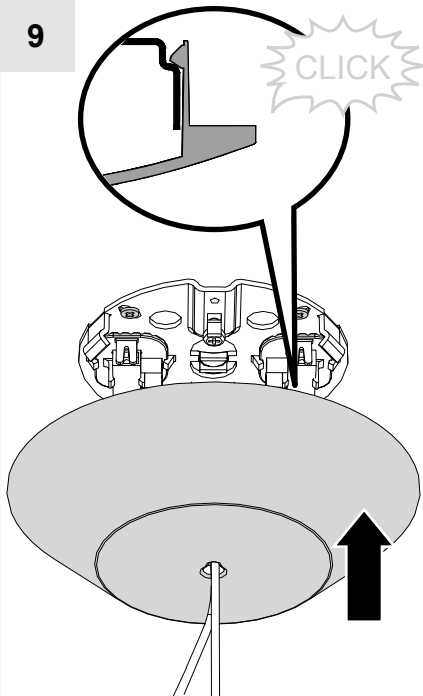
7



8



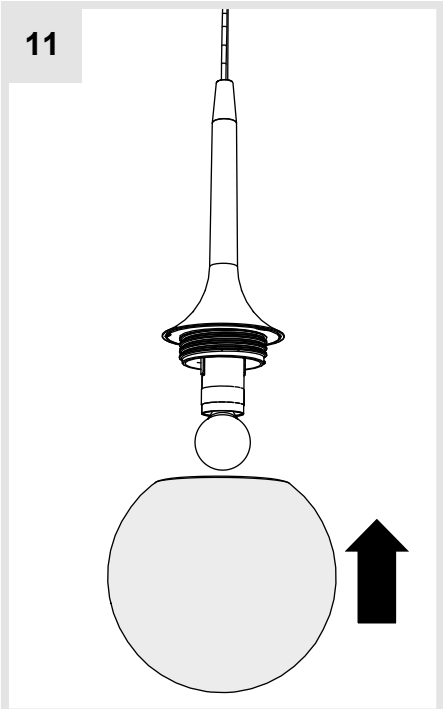
9



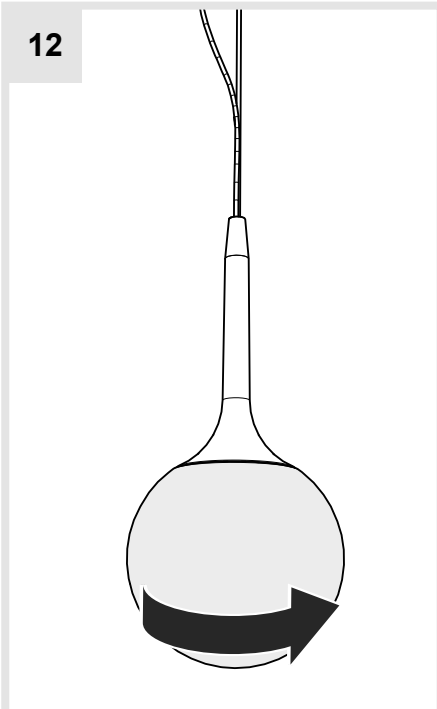
10



11

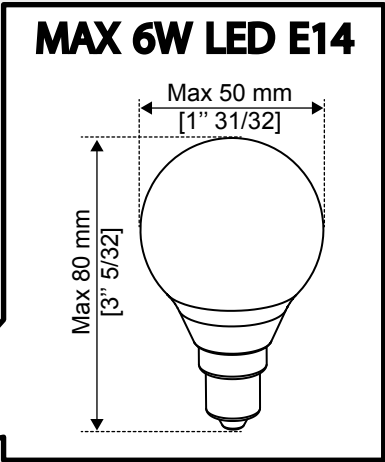


12

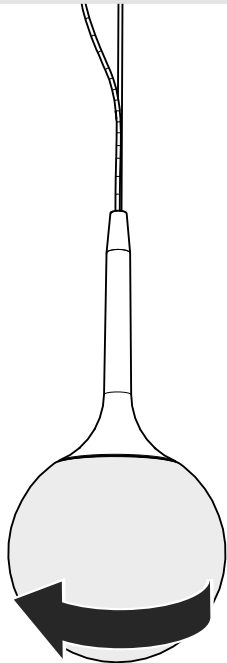




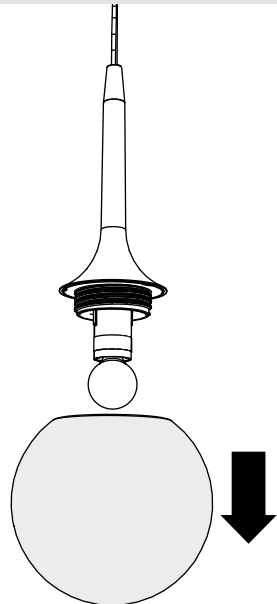
i



1



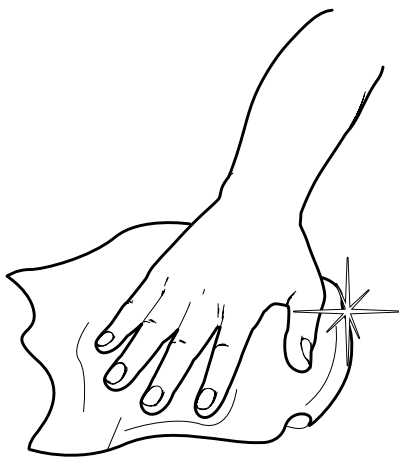
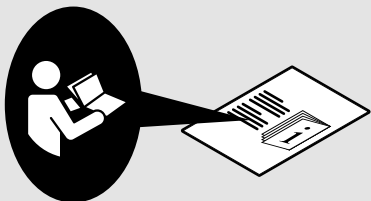
2



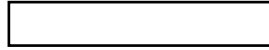
10

11

12



Artemide®



Artemide

via Bergamo, 18
20010 Pregnana M.se (MI)
ITALIA

tel. +39 02 935 181
fax +39 02 935 90 254
fax +39 02 935 90 496

www.artemide.com

VAT IT00846890150

cod. Y513000991B