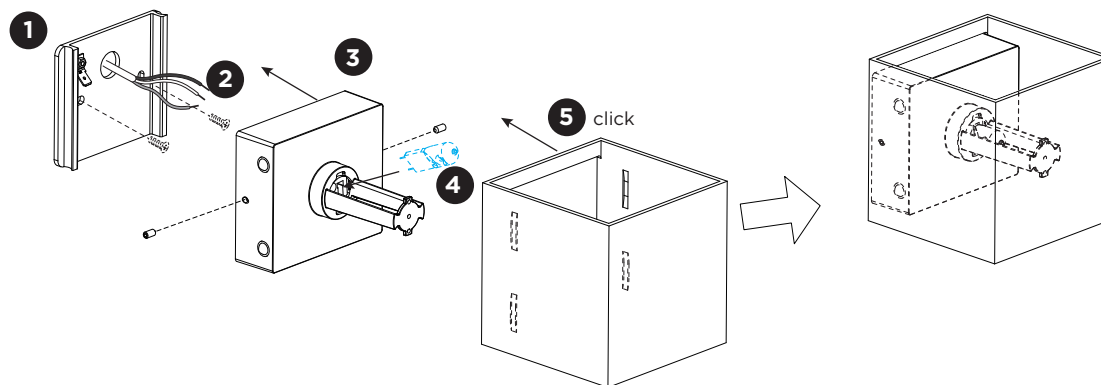
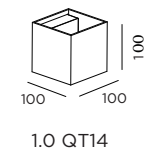


installation method



DIMENSIONS

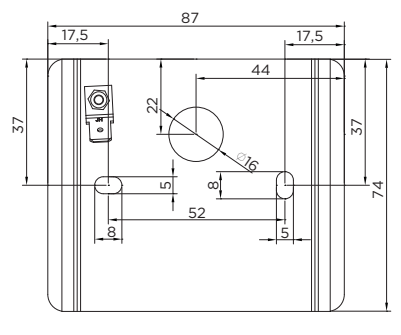


MOUNTING INSTRUCTION

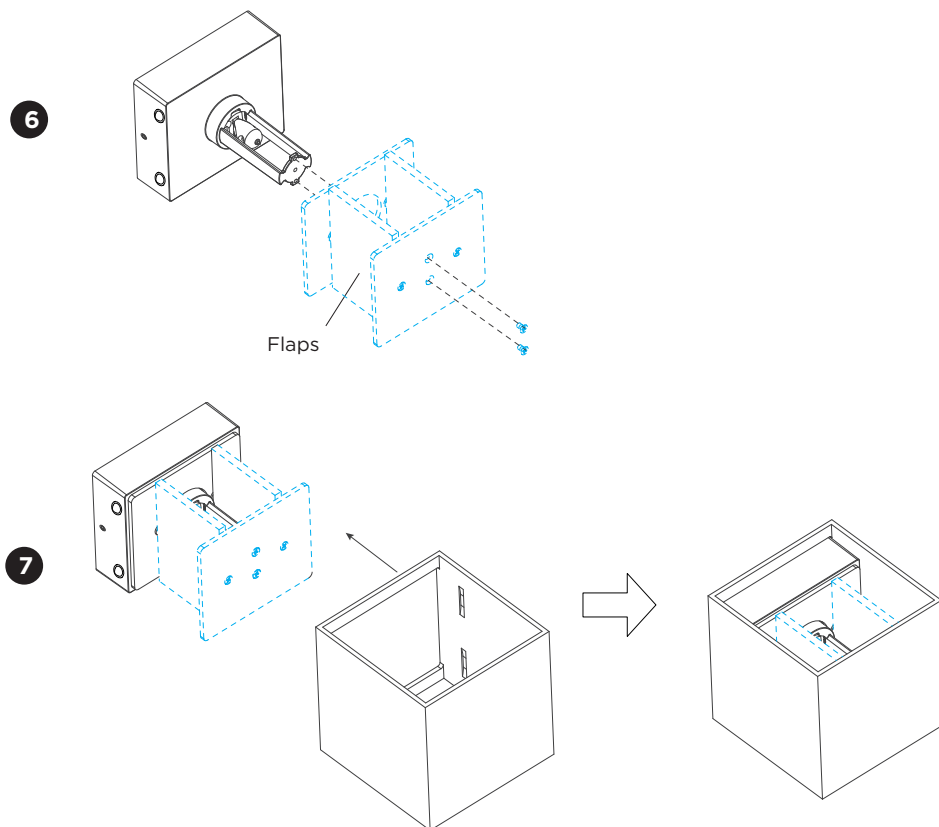
- 1** Remove the mounting base from the luminaire by loosening the socket screws and mount it on the wall with screws (screws are not included).
- 2** **POWER CONNECTION**
Connect to 220-240V.

Connect the mounting base earth cable.
- 3** Fixate the luminaire on the base with the socket screws.
- 4** Insert the lamp. Lamp is not included
- 5** If flaps are used proceed to step 6.
Mount the cover by pushing and clicking it over the luminaire.

Mounting base:



Optional Box flaps for adjustable beam angle 900401W0



MOUNTING INSTRUCTION

- 6 Before clicking the cover to the luminaire, mount the optional accessory by means of screws (included).
- 7 Mount the cover by pushing and clicking it over the luminaire.

By opening or closing the flaps you can adjust the light distribution as shown below.

