

FLOS

■ F3178030 Black

IC Lights C/W1

Designed by Michael Anastassiades, 2014



Halogen - 60W

Wall-ceiling lamp providing diffused light. Frame in brass, brushed and transparent varnished or chrome steel. Blown glass opal diffuser.

Are you a professional and your project needs consulting and support?

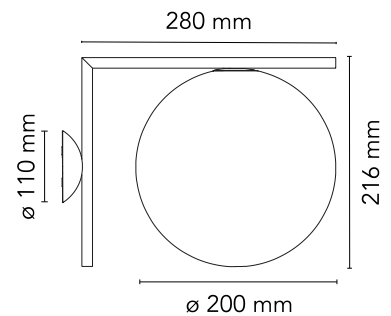
[BOOK AN APPOINTMENT](#)

Main specifications

Mounting	Ceiling and wall surface
Environments	Indoor dry location
Light Source Type	Bulb
Lamp category	Halogen
Lamp holders	E14
Ilcos	HSGS
Number of heads	1
Power (W)	60

Physical

Colour	Black
Length (mm)	200
Net weight (kg)	1.85
Package height (mm)	0
Package width (mm)	0
Package length (mm)	0
Package volume (m3)	0.04
IP internal	20



Download

[Mounting instructions](#) PDF

[Spare Parts](#) PDF

Photometric Files

[LDT / IES](#) LDT

Technical Drawings

[2D](#) ZIP

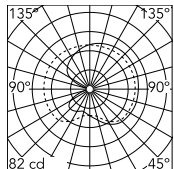
[3D](#) ZIP

[Bim](#) ZIP



IK	IP
07	20

Schematic light drawing



Luminous flux Luminaire
689 lm

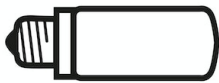
Photometric

Lighting type	Total
Light distribution	Asymmetric

Electrical

Insulation class	I
Frequency (Hz)	50/60
Main voltage (Vac)	220-250
LED voltage Vf (Vdc)	null
Dimmable	Yes
Dimming interface	Remote Dimmable (Dimmer Not Included)
Batteries inside	No

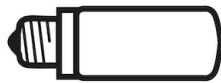
Bulbs



NOT INCLUDED

RF32290

LED Lamp E14 8W 2700K T28



NOT INCLUDED

RF32291

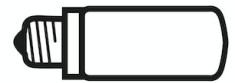
LED Lamp E14 8W 3000K T28



NOT INCLUDED

RF32767

LED Lamp 9W E14 220-240V
2700K T28



NOT INCLUDED

RF32768

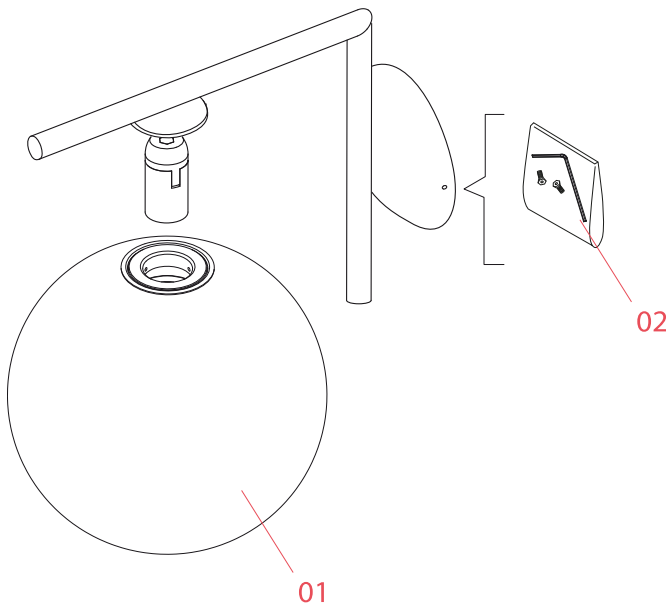
LED Lamp 9W E14 220-240V
3000K T28

Spare Parts

02. Kit with screws and allen key

RF3160100

DOWNLOAD





RF3160100

Kit with screws and allen key